

ELEMENTS EX10

SONOROUS[®]

Made in Europe



Tempered Safety Glass



No Assembly Required



Cable Management System



Max Weight Top 50 Kgs



EX10-F-BLK-8-A

IR REPEATER

Controls Up To 8 AV Components



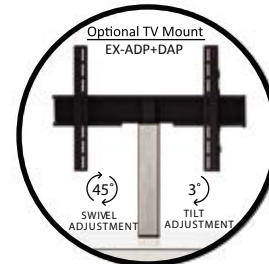
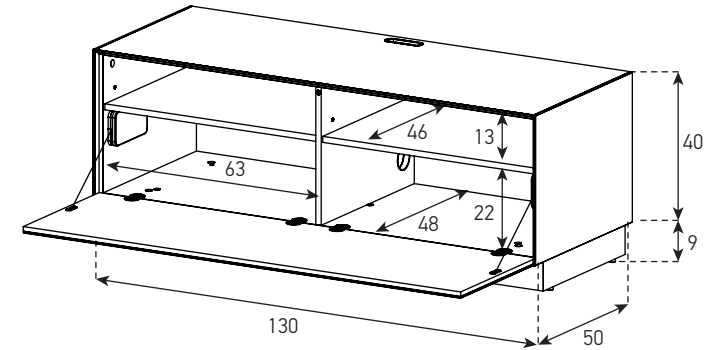
HIDDEN IR REPEATER BOX

3 OUTPUT EMITTERS (1 mm) CORD, 3 OUTPUT EMITTERS (2 mm) CORD AND MINI PLUG CONNECTORS

IR RECEIVER WITH 1m CORD AND 4-PIN DIN CONNECTOR

PLUG-IN POWER SUPPLY

130 W x 50 D x 48 H cm
Flap Door with Push to Open System
Infrared Repeater System
2 Years Warranty



Max. Bracket Load 35 KG



EX10-F-WHT-8-A

SPECIAL ORDERS

The Sonorous Elements Range has many colour and cabinet options available just for you. Special ordering will enable an exacting match to your home décor and give you some European flavour right in your living room. If you would like to know more about special orders, please view the **Sonorous Elements Full Line Catalogue**

Full line Catalogue available at your Harvey Norman Electrical store or email info@avsupply.co.nz for your personal copy. Special orders can be placed through your local Harvey Norman Electrical Store. Delivery will be approximately 12 - 16 weeks from date of order.